

# VF Series of LEDs Bargraph Meter Modules

vu140P-11712S

40 Segments Fixed Color Audio Level Meter Module

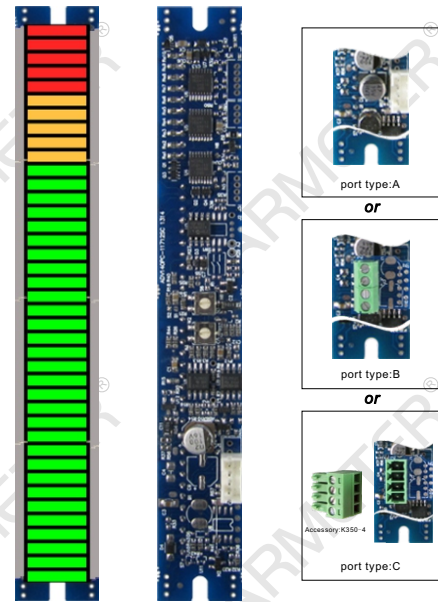
VF  
S

## SUMMARIZE

VF series vu LED bargraph meter modules can accept and interpret audio signal and programme signal which is transmitted by lines and generate audio level for display. The module can achieve vu volume meter's bar display or dot display and level's peak hold is optional. Sensitivity of transmission channel can be adjusted by the parts on module, so display's dynamic range can be adjusted easily.

Audio input can connect the signal to the preamplifier(circuit) or power amplifier output port by PH port connector or other two connectors. The signal is sent to the LED bar to display after mean detection, transfer amplification and processed by software. Because of wide impedance match range, the module can be widely used in the display of audio system's audio output, sound console output, programme signal transmitted by lines and volume output by power amplifier.

The module has wide range power supply, low power consumption. The bargraph can be a single color, such as red, green, yellow etc. or can be two or more colors to display separately, which represent different function region and improve the visual effect of programme.



[Http://www.barmeter.com](http://www.barmeter.com)

## DESCRIPTIONS

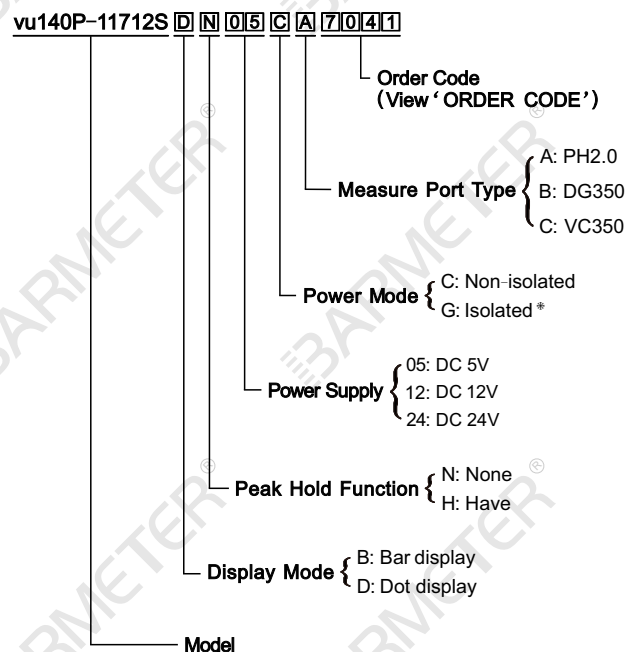
- Input Impedance:** 200kohm,balanced  
100kohm,unbalanced
- Output Level For '0' Indication:** +4dBu(at default state)\*
- Input Range:** -20vu~+3vu(at default state)
- Amplitude-Frequency Characteristic:**  $\pm 0.5\text{vu}$  [31.5Hz~16KHz]
- Sensitivity Adjustment Range:** 3vu
- Response Time:** 300ms  $\pm 10\%$
- Peak Hold Time:** 2 s
- Peak Return Time:** 3 s
- Effective Beam Number:** 40 segments
- Bargraph Length:** 117 mm
- Bargraph Width:** 12 mm
- Active Area:** 12x118. 8 mm
- Segment Pitch:** 3.0 mm
- Power Supply and Range :**
  - Non-isolated** Normal: DC5V  $\pm 10\%$   
Optional: DC12V (10~15V)  
DC24V (20~28V)
  - Isolated** DC5V  $\pm 5\%$ , DC12V  $\pm 5\%$ , DC24V  $\pm 5\%$   
Insulating Intension: DC1000V 1min
- Power Consumption:** 450mW(F.S.)
- Environment:** -30~70°C & <85%RH

\* default state: the 41th segment is the '0' reference indication, dBu is the decibel unit which take 0.775V as parameter value.

## ORDER CODE

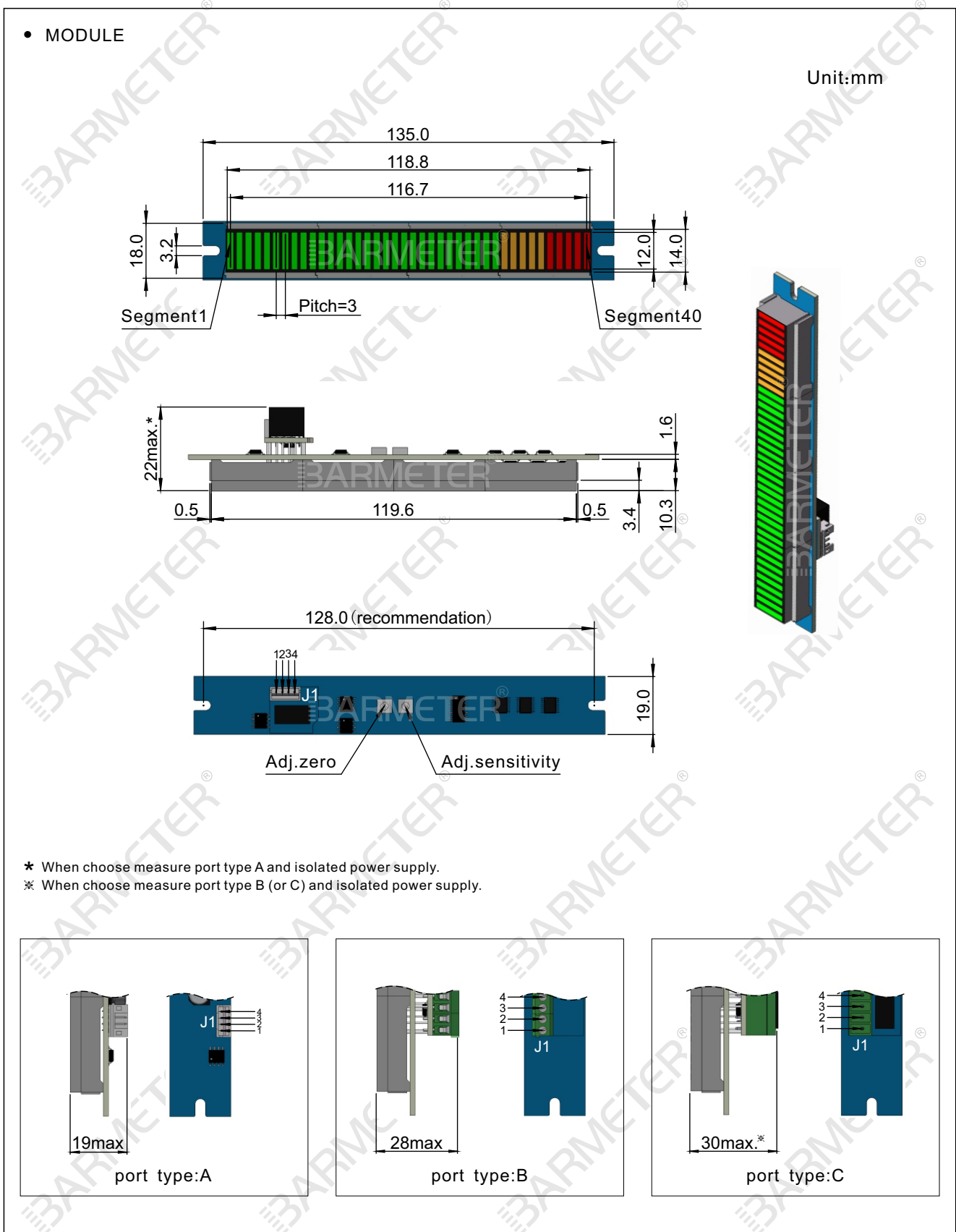
Bar Color	Red	Green	Yellow	30Green+5Yellow+5Red
Order Code	7011	7021	7031	7041

## MODEL AND ORDERING CODE



\* When choose isolated power mode, signal's unbalanced input cannot be used.

### DIMENSION AND LOCATION OF THE PORT

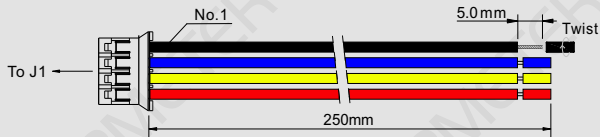


### PORT(J1) DEFINITION AND OPTIONS

Pin No.	Symbol	Wire color	Definition
1	PS(-)	Black	Power Supply Negative
2	IN(C)	Blue	Audio Input Cold Side
3	IN(H)	Yellow	Audio Input Hot Side
4	PS(+)	Red	Power Supply Positive

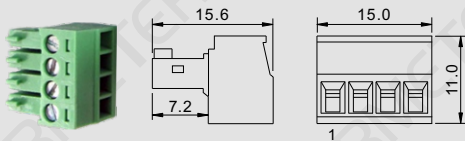
#### CONNECTOR (Accessories for port type A)

WPH-204L25-1



#### AMPHENOL CONNECTOR (Accessories for port type C)

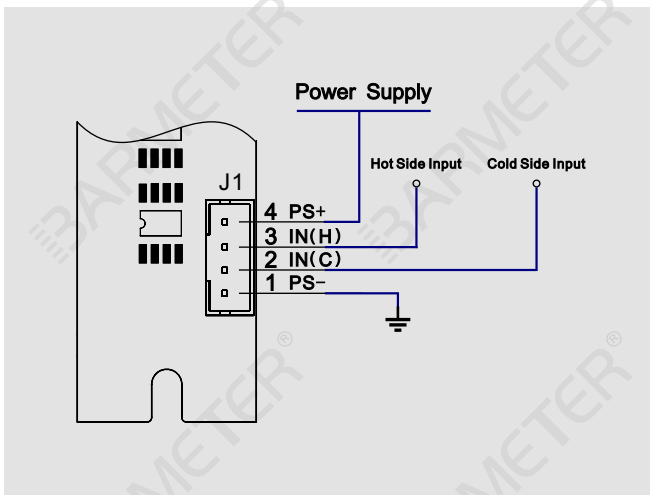
K350-4



Unit:mm

### APPLICATION EXAMPLES

#### BALANCED INPUT CONNECTIONS



### COPYRIGHT NOTICE

Barmeter Electronics possess industrial and intellectual property rights including product appearance, hardware circuit and software, which are protected by patents and copyright. Any organization or individual can not compile and issue this datasheet without our authorization. The function of our products is continuously improving and the version of datasheets will be updated in time. Hope customers will give attention to us.